



PRODUCT FAMILY	DESCRIPTION
----------------	-------------

DH AND HOME AMPLIFIERS	HOUSE CONNECTION AMPLIFIERS
-------------------------------	------------------------------------

	FEATURES
--	----------



- >> 1 GHz Bandwidth
- >> NE-4 amplifier
- >> Compact housing
- >> Input and Output test point
- >> Downstream gain 36 dB, upstream gain 28 dB
- >> Variable 0 ... 18dB attenuator for downstream and upstream
- >> Variable 0 ... 18dB input equalizer for downstream

SPECIFICATIONS

Downstream signal path

Frequency range	85 ... 1006 MHz
Return loss	18 dB ⁽¹⁾
Gain @ 1006 MHz	36 dB ± 1 dB
Input attenuator control range	0 ... 18 dB ⁽²⁾
Input equalizer control range	0 ... 18 dB ⁽³⁾
Interstage slope	0 / 7 dB ⁽⁴⁾ + ⁽⁵⁾
Flatness	±0.8 dB
Noise Figure	6.0 dB ⁽⁶⁾
CTB	100 dBμV ⁽⁷⁾
CSO	100 dBμV ⁽⁷⁾

Upstream signal path

Frequency range	5 ... 65 MHz
Return loss	18 dB ⁽¹⁾ + ⁽¹⁶⁾
Gain @ 65 MHz	28 dB ± 1 dB
Input attenuator control range	0 ... 18 dB ⁽²⁾
Output slope	0 / 3 / 6 / 9 dB ⁽⁴⁾ + ⁽⁸⁾
Flatness	±0.5 dB ⁽⁹⁾
Noise Figure	6.0 dB ⁽¹⁰⁾

Return path load	Mittlere Last 64 QAM
Output level, DIN 45004B	120 dB μ V ⁽¹¹⁾

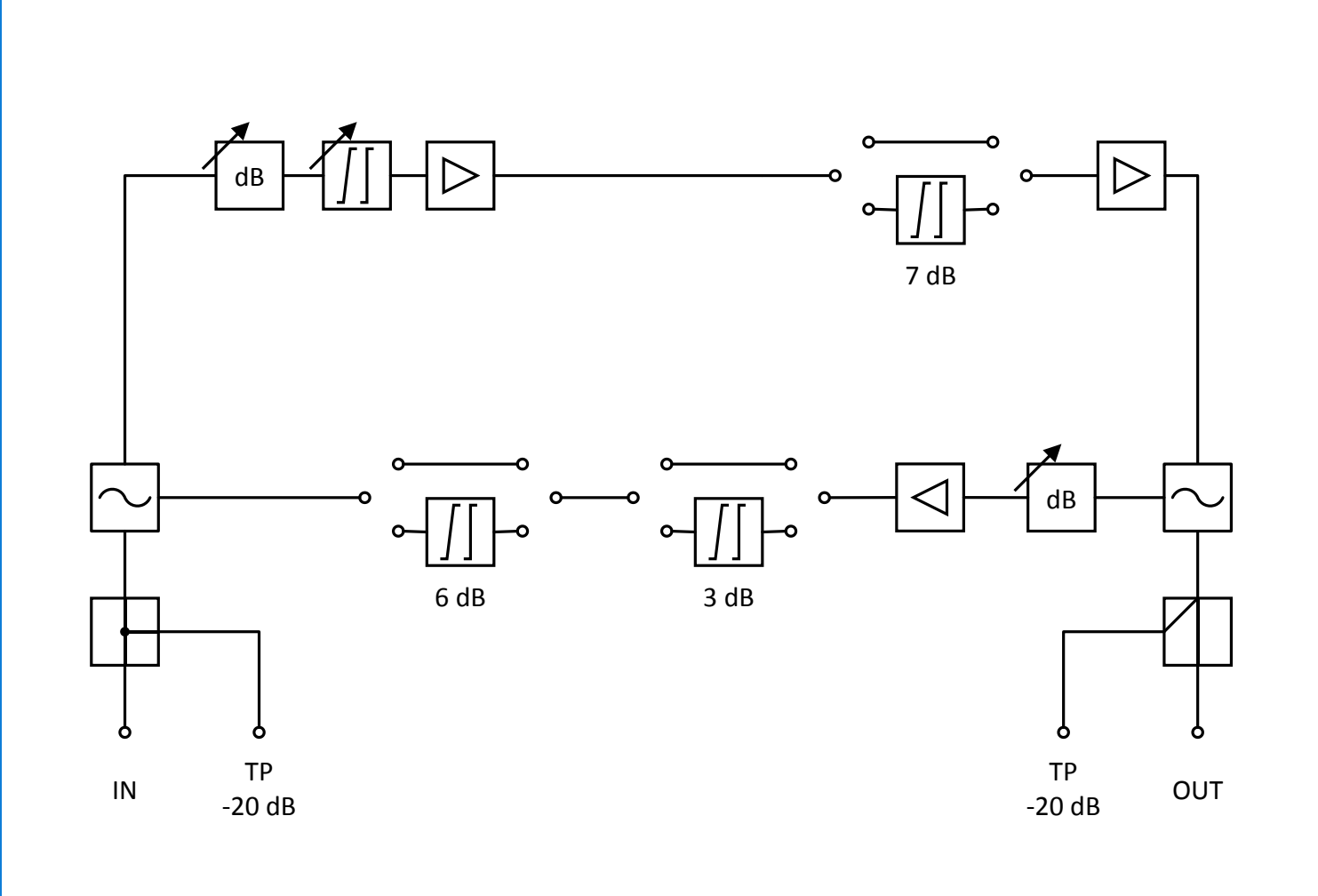
GENERAL SPECIFICATIONS

Input Test point (external)	- 20 dB ⁽¹²⁾
Output Test point (external)	- 20 dB ⁽¹³⁾
Supply voltage (AC)	207 ... 255 V
Power Consumption	7 W
Input / Output test point connectors	F female
Dimensions (h x w x h)	178 (213) x 100 (110) x 58 mm
Weight	1.3 kg
Operation temperature	-20° ... +55°C
Class of enclosure	IP20
EMC	EN 60728-2
Screening	Class A
Overvoltage protection (surge)	2 kV ⁽¹⁴⁾
ESD protection	2 kV ⁽¹⁵⁾

NOTES:

- (1) The limiting curve is defined at 40 MHz -1.5 dB/octave
- (2) Attenuation is set with a 0 ... 18 dB variable attenuator
- (3) The pivot point is at 1006 MHz. Slope is set with a 0 ... 18 dB variable attenuator
- (4) Switchable by jumper
- (5) Slope is defined between 85 and 1006 MHz, set to 0 or 7 dB
- (6) Typical value. Maximum 7.0 dB
- (7) Output level flat, 41 Ch. CENELEC
- (8) This slope is defined between 5...65 MHz
- (9) Typical value. Maximum \pm 0.8 dB
- (10) Typical value. Maximum 7.0 dB
- (11) Typical value
- (12) Input test point is bidirectional with \pm 2 dB tolerance. It can be used as the output test point for the return signal
- (13) Output test point is a directional coupler with \pm 1.0 dB tolerance. It can be used as an injection point for a return channel test signal
- (14) According to EN 60728-3
- (15) EN 61000-4-2, contact discharge to enclosure and RF ports
- (16) Between 5 and 10 MHz, > 16 dB

BLOCK DIAGRAM



ORDERING INFORMATION

DH6768VA	House connection amplifier 36 dB / 28 dB
-----------------	--

Teleste reserves the rights to alter specifications, features, manufacturing release dates and even the general availability of the product at any time.