

Universal amplifier

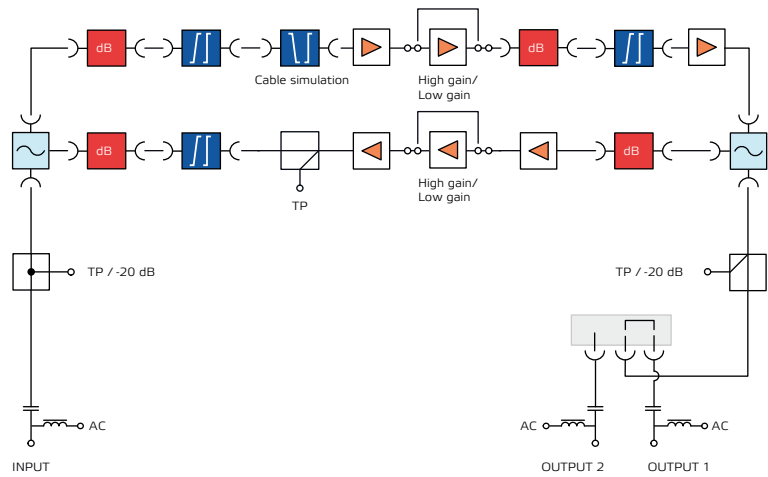
The CXE280 may be small but there is much more to it than meets the eye. Its performance and versatility make it a great all-around amplifier. The CXE280 features two gain modes for more flexible operation. Higher gain is designed for distribution purposes and lower gain is suitable for line extender use. Upstream gain can also be set to low or high mode.

All signal controls are using standard attenuator pads to minimize the selection of spare plugs. Amplifier stages are using GaAs-FET technology, which gives excellent CTB and CSO performance. Take a good look inside and you'll find features that simply work for your advantage.



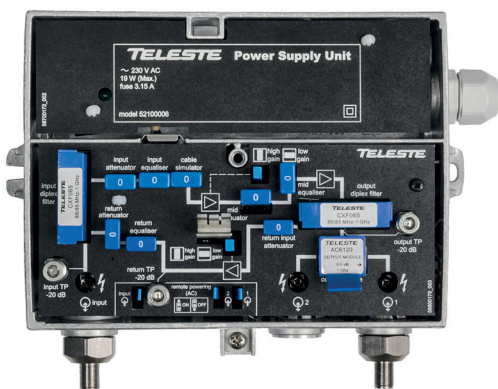
Features

- Lightweight and compact design
- Supports 1 GHz downstream
- High gain / low gain operation modes for US and DS
- GaAs FET and GaAs pHEMT technology in use
- Low US noise figure
- Cable simulator option at input
- US input attenuator
- All adjustments with plug-in attenuator pads
- Classification according to KDG 1 TS 140: D(4.4)



Technical specifications

Downstream signal path		Upstream signal path	
Frequency range	85... 1006 MHz	Frequency range	5... 65 MHz
Return loss	18 dB	Return loss	18 dB
Gain	40 / 32 dB	Gain	32 / 22 dB
Input attenuator	0...-20 dB	Input/output gain control	0...-20 dB
Input equaliser	0...22 dB	Output equaliser	0... 12 dB
Cable simulator	0...-9 dB	Flatness	± 0.8 dB
Mid-stage slope	0... 10 dB	Return test point	-20 dB
Mid-stage gain	0...-10 dB	Noise figure	3.7 dB
Flatness	± 0.5 dB	Output level, DIN 45004B	119.0 dBµV
Group delay	2 ns	BER	< 1 x 10 ⁻⁸
Noise figure	5.5 dB	MER	> 35 dB
Output level, CTB 41 channels	112.0 dBµV		
Output level, CSO 41 channels	113.0 dBµV		
Output level, XMOD 41 channels	109.0 dBµV		
General			
Power consumption (40 / 32 dB)	14.5 / 13.5 W	Dimensions (h x w x d)	148 mm x 210 mm x 84 mm
Supply voltage / remote / local	26...65 V AC / 180...255 V AC	Weight	1.5 kg
Max. current feed through	5 A / port	Operating temperature	-40...+55 °C
Input / Output	PG11(several adaptors available)	Class of enclosure	IP54
Test point	F female	EMC compatibility	EN 60728-2
Hum modulation	70 dB	Safety	EN 60728-11
		ESD/Surge	4 kV / 6 kV, IEC 60728-3



Standard configurations

- **CXE280 L** is an amplifier equipped with 230 V AC power supply with euro plug, 2 pcs CXF065 duplex filters included, 2 open PG11 ports, 3rd port closed with sealing plug, 0 dB output module (AC6120) installed. There is no JDA series attenuators included. All 8 pads should be ordered separately.
- **CXE280 R** is like previous product, but it uses 65 V AC power supply. Port for local powering is normally closed with a sealing plug. If 65 V AC voltage is fed locally, cable cland (KDG900) for feed through can be ordered. All 8 pads should be ordered separately.